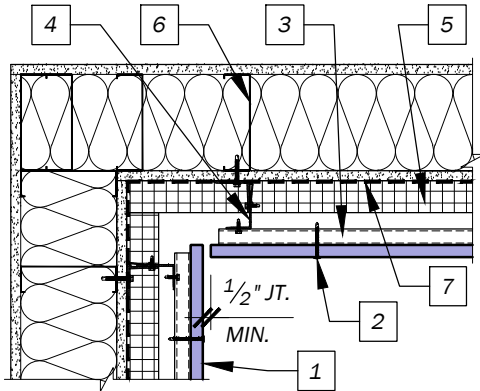
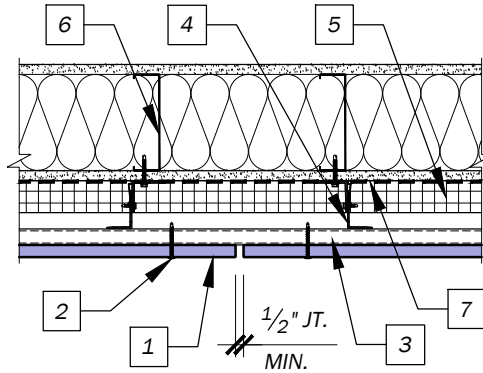


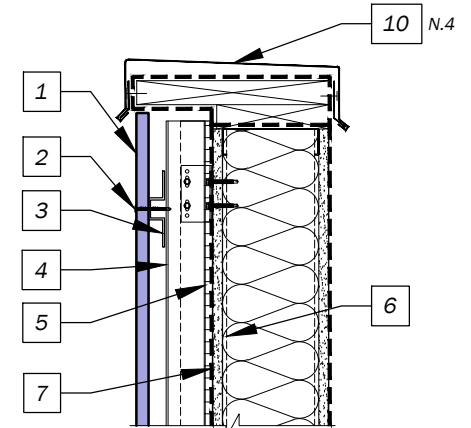
# THINCAST™ RAINSCREEN PANEL EDGE DETAILS - TYPICAL



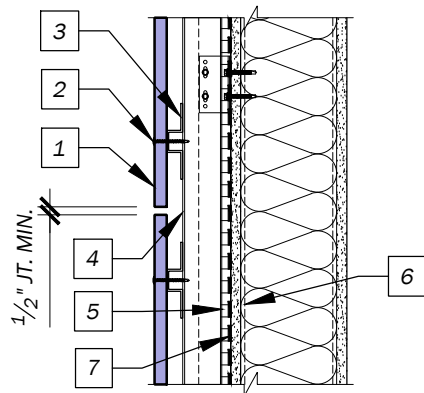
INSIDE CORNER



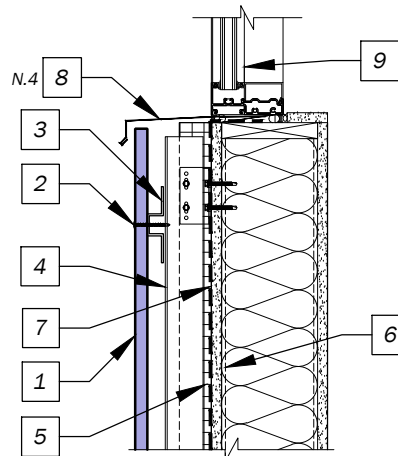
VERTICAL JOINT



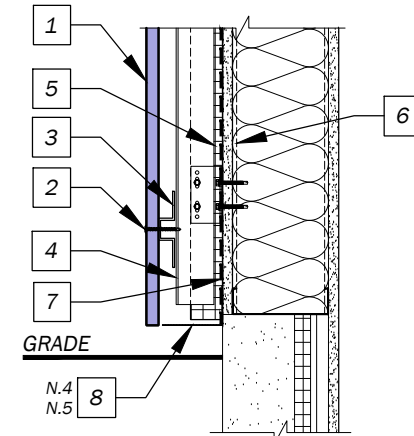
PARAPET



HORIZONTAL JOINT



WINDOW SILL



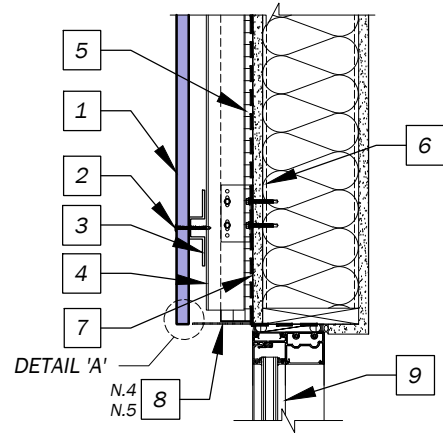
AT GRADE

NO.	DESCRIPTION	NOTES
1	3/4" THINCAST™ RAINSCREEN PANEL	
2	PANEL FASTENER	SEE NOTE N.1.
3	INTERFACING PANEL RAIL (BY OTHERS)	SEE NOTE N.2 & N.3.
4	RAINSCREEN SUPPORT SYSTEM (BY OTHERS)	PER ARCHITECT & SYSTEM MANUFACTURER
5	INSULATION (OPTIONAL) (BY OTHERS)	PER ARCHITECT & SYSTEM MANUFACTURER

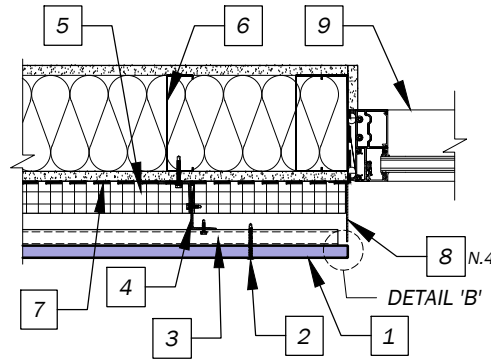
NO.	DESCRIPTION	NOTES
6	STRUCTURE (BY OTHERS)	PER ARCHITECT & SYSTEM MANUFACTURER
7	AIR/VAPOR BARRIER (BY OTHERS)	PER ARCHITECT & SYSTEM MANUFACTURER
8	FLASHING/CLOSURE MATERIAL (BY OTHERS)	PER ARCHITECT & SYSTEM MANUFACTURER
9	WINDOW (BY OTHERS)	PER ARCHITECT
10	COPING/FASCIA (BY OTHERS)	PER ARCHITECT & SYSTEM MANUFACTURER

- NOTES:  
 N.1. PANEL FASTENER SPACING NOT TO SCALE AND IS FOR VISUAL REPRESENTATION ONLY.  
 N.2. PANEL RAIL IS BY OTHERS. SEE "RAINSCREEN SUPPORT SYSTEM AND FASTENER MINIMUM REQUIREMENTS" GUIDE FOR MINIMUM PANEL RAIL MATERIAL.  
 N.3. DETAILS SHOWN REPRESENT TYPICAL HORIZONTAL PANEL RAIL INSTALLATION. ACTUAL PANEL RAIL ORIENTATION MAY VARY PER APPLICATION.  
 N.4. ALL FLASHING/CLOSURE MATERIAL MUST MAINTAIN 1/4" MINIMUM CLEAR OF PANEL.  
 N.5. FLASHING/CLOSURE MATERIAL, WHERE APPLICABLE, SHOULD BE APPROPRIATELY DESIGNED FOR DRAINAGE (BY OTHERS).

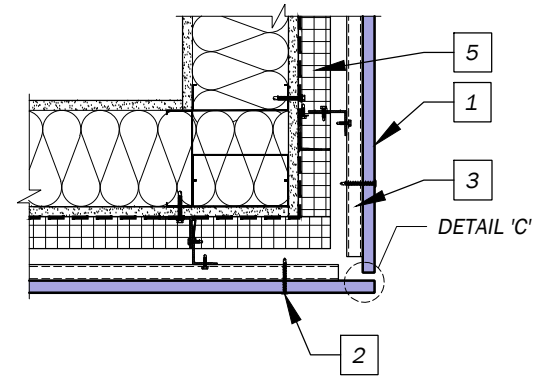
# THINCAST™ RAINSCREEN PANEL EDGE DETAILS - SQUARE EDGE



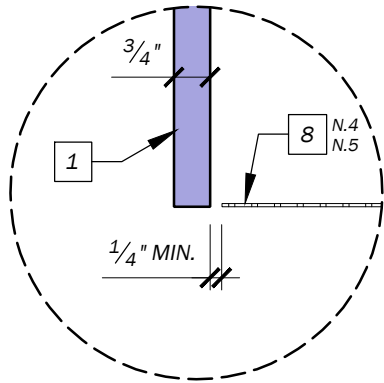
WINDOW/DOOR HEAD



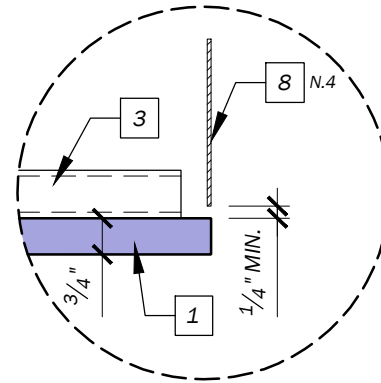
WINDOW/DOOR JAMB



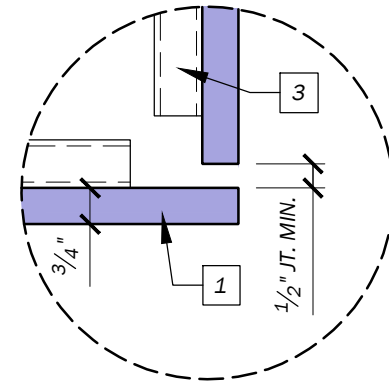
OUTSIDE CORNER



DETAIL 'A'



DETAIL 'B'



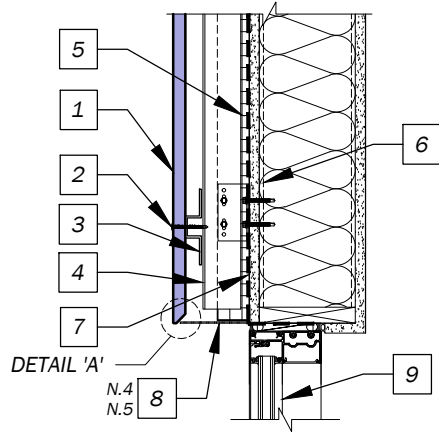
DETAIL 'C'

No.	DESCRIPTION	NOTES
1	3/4" THINCAST™ RAINSCREEN PANEL	
2	PANEL FASTENER	SEE NOTE N.1.
3	INTERFACING PANEL RAIL (BY OTHERS)	SEE NOTE N.2 & N.3.
4	RAINSCREEN SUPPORT SYSTEM (BY OTHERS)	PER ARCHITECT & SYSTEM MANUFACTURER
5	INSULATION (OPTIONAL) (BY OTHERS)	PER ARCHITECT & SYSTEM MANUFACTURER

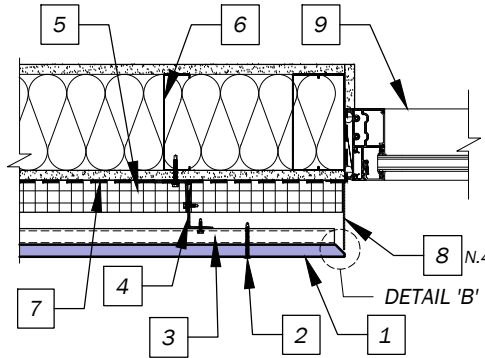
No.	DESCRIPTION	NOTES
6	STRUCTURE (BY OTHERS)	PER ARCHITECT & SYSTEM MANUFACTURER
7	AIR/VAPOR BARRIER (BY OTHERS)	PER ARCHITECT & SYSTEM MANUFACTURER
8	FLASHING/CLOSURE MATERIAL (BY OTHERS)	PER ARCHITECT & SYSTEM MANUFACTURER
9	WINDOW (BY OTHERS)	PER ARCHITECT
10	COPING/FASCIA (BY OTHERS)	PER ARCHITECT & SYSTEM MANUFACTURER

NOTES:  
 N.1. PANEL FASTENER SPACING NOT TO SCALE AND IS FOR VISUAL REPRESENTATION ONLY.  
 N.2. PANEL RAIL IS BY OTHERS. SEE "RAINSCREEN SUPPORT SYSTEM AND FASTENER MINIMUM REQUIREMENTS" GUIDE FOR MINIMUM PANEL RAIL MATERIAL.  
 N.3. DETAILS SHOWN REPRESENT TYPICAL HORIZONTAL PANEL RAIL INSTALLATION. ACTUAL PANEL RAIL ORIENTATION MAY VARY PER APPLICATION.  
 N.4. ALL FLASHING/CLOSURE MATERIAL MUST MAINTAIN 1/4" MINIMUM CLEAR OF PANEL.  
 N.5. FLASHING/CLOSURE MATERIAL, WHERE APPLICABLE, SHOULD BE APPROPRIATELY DESIGNED FOR DRAINAGE (BY OTHERS).

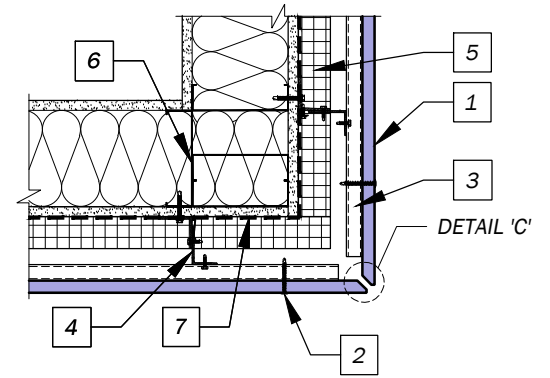
# THINCAST™ RAINSCREEN PANEL EDGE DETAILS - MITERED EDGE



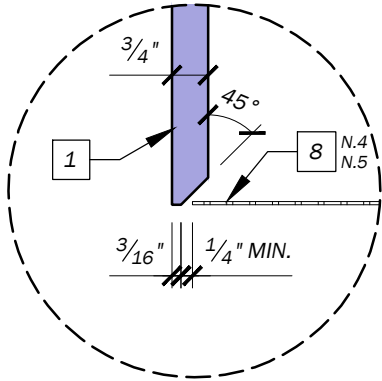
WINDOW/DOOR HEAD



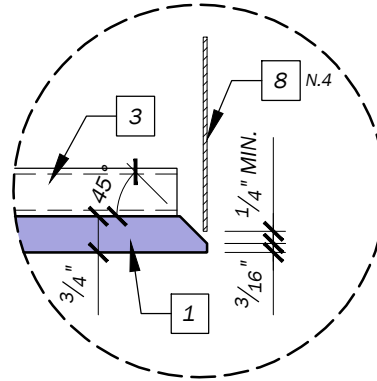
WINDOW/DOOR JAMB



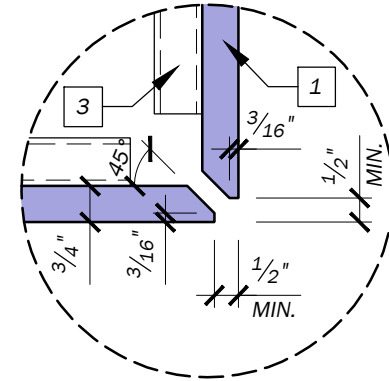
OUTSIDE CORNER



DETAIL 'A'



DETAIL 'B'



DETAIL 'C'

No.	DESCRIPTION	NOTES
1	3/4" THINCAST™ RAINSCREEN PANEL	
2	PANEL FASTENER	SEE NOTE N.1.
3	INTERFACING PANEL RAIL (BY OTHERS)	SEE NOTE N.2 & N.3.
4	RAINSCREEN SUPPORT SYSTEM (BY OTHERS)	PER ARCHITECT & SYSTEM MANUFACTURER
5	INSULATION (OPTIONAL) (BY OTHERS)	PER ARCHITECT & SYSTEM MANUFACTURER

No.	DESCRIPTION	NOTES
6	STRUCTURE (BY OTHERS)	PER ARCHITECT & SYSTEM MANUFACTURER
7	AIR/VAPOR BARRIER (BY OTHERS)	PER ARCHITECT & SYSTEM MANUFACTURER
8	FLASHING/CLOSURE MATERIAL (BY OTHERS)	PER ARCHITECT & SYSTEM MANUFACTURER
9	WINDOW (BY OTHERS)	PER ARCHITECT
10	COPING/FASCIA (BY OTHERS)	PER ARCHITECT & SYSTEM MANUFACTURER

NOTES:  
 N.1. PANEL FASTENER SPACING NOT TO SCALE AND IS FOR VISUAL REPRESENTATION ONLY.  
 N.2. PANEL RAIL IS BY OTHERS. SEE "RAINSCREEN SUPPORT SYSTEM AND FASTENER MINIMUM REQUIREMENTS" GUIDE FOR MINIMUM PANEL RAIL MATERIAL.  
 N.3. DETAILS SHOWN REPRESENT TYPICAL HORIZONTAL PANEL RAIL INSTALLATION. ACTUAL PANEL RAIL ORIENTATION MAY VARY PER APPLICATION.  
 N.4. ALL FLASHING/CLOSURE MATERIAL MUST MAINTAIN 1/4" MINIMUM CLEAR OF PANEL.  
 N.5. FLASHING/CLOSURE MATERIAL, WHERE APPLICABLE, SHOULD BE APPROPRIATELY DESIGNED FOR DRAINAGE (BY OTHERS).